



SERVING THE FOOD INDUSTRY SINCE 1951

60-INCH REFRIGERATED FLOOR SHOWCASES

Item: 47105 | Model: RS-CN-0470

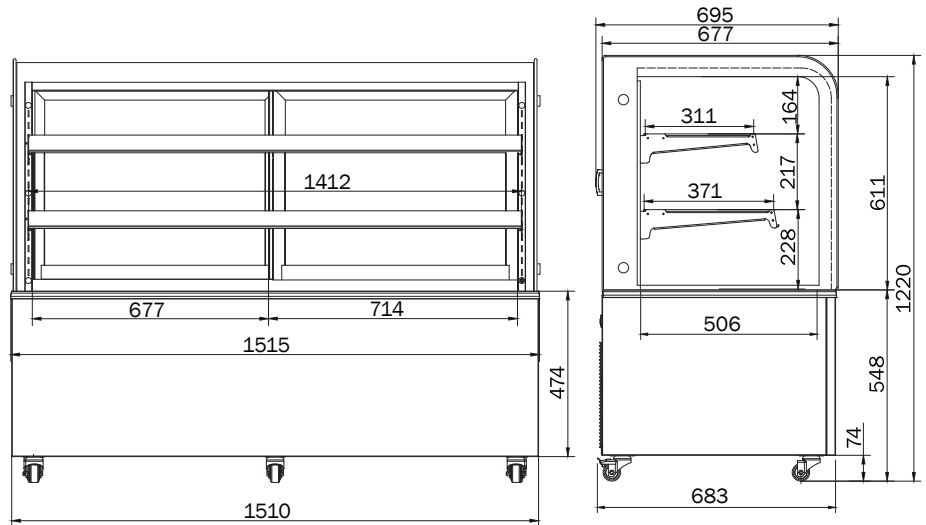


SHOW OFF YOUR TASTY BAKED TREATS!

Showcase your tasty baked goods with Omcan's refrigerated floor showcase. Control the temperature of the showcase with the digital temperature controller and display, and keep your goods fresh. Easily access your tasty treats with the rear door. Ideal for bakeries and dessert shops.

TECHNICAL SPECIFICATIONS

Item	47105
Model	RS-CN-0470
Electrical	115V / 60Hz / 1Ph
Capacity	500 L 17.7 cu. ft
Refrigerant	R290
Temperature Range	2 - 8°C 35.6 - 46.4°F
Top Rack Size	55.2" x 12.2"
Bottom Rack Size	55.2" x 14.6"
Weight	401.2 lbs 182 kg
Gross Weight	507.1 lbs 230 kg
Dimensions (DWH)	26.6" x 59.6" x 48"
Gross Dimensions	29.3" x 63" x 50



*measurements in diagrams are in mm



WARRANTY
PARTS AND LABOR



Authorized Dealer